

AMPAMP INCORPORATED
HARRISBURG, PA 17105CUSTOMER HOTLINE
1 800 722-1111

REDUCED FOR PACKAGING

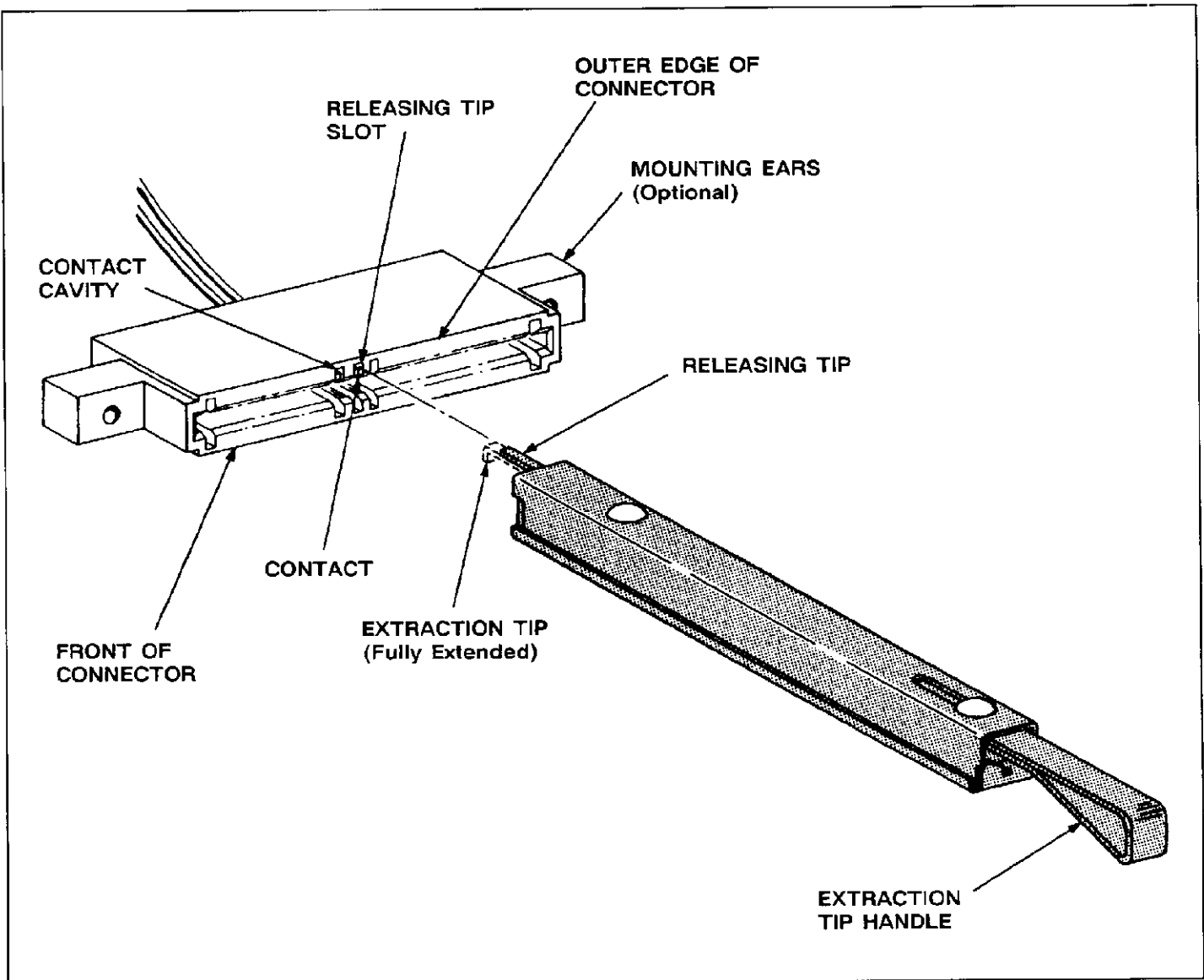
IS 7529AMP*
**EXTRACTION TOOL 91073-1
FOR AMP TWIN LEAF CONTACTS**RELEASED
8-24-89

Fig. 1

1. INTRODUCTION

AMP Extraction Tool 91073-1 is designed to remove AMP Twin Leaf contacts from AMP Twin Leaf Edge Connectors. Read these instructions thoroughly before starting.

2. DESCRIPTION (Figure 1)

The tool features a releasing tip which depresses the contact locking lance, and an extraction tip

which pushes the contact out of the cavity when the extraction handle is depressed.

3. EXTRACTION PROCEDURE

1. Align the releasing tip with the releasing tip slot, located between the contact to be removed and the outer edge of the connector, as shown in Figure 1.
2. Insert the releasing tip straight into the connector until it bottoms.

CAUTION

DO NOT pry or twist the tool when it is inserted in the connector. Damage to the tool and/or connector may result.

3. Hold the tool against the connector and depress the extraction handle. The contact will be backed partially out of the connector.
4. Pull the tool straight out of the slot taking care not to twist it.
5. Remove the contact from the back of the connector.

4. TOOL MAINTENANCE

AMP Extraction Tool 91073-1 conforms to the information provided in Figure 2. It is recommended that the tool be inspected upon arrival and at regularly scheduled intervals thereafter to ensure that it has not become damaged.

The dimensions shown include the maximum tolerance.

Additional tools may be purchased from:

AMP Incorporated
P.O. Box 3608
Harrisburg, PA 17105-3608

or a wholly-owned subsidiary of AMP Incorporated.

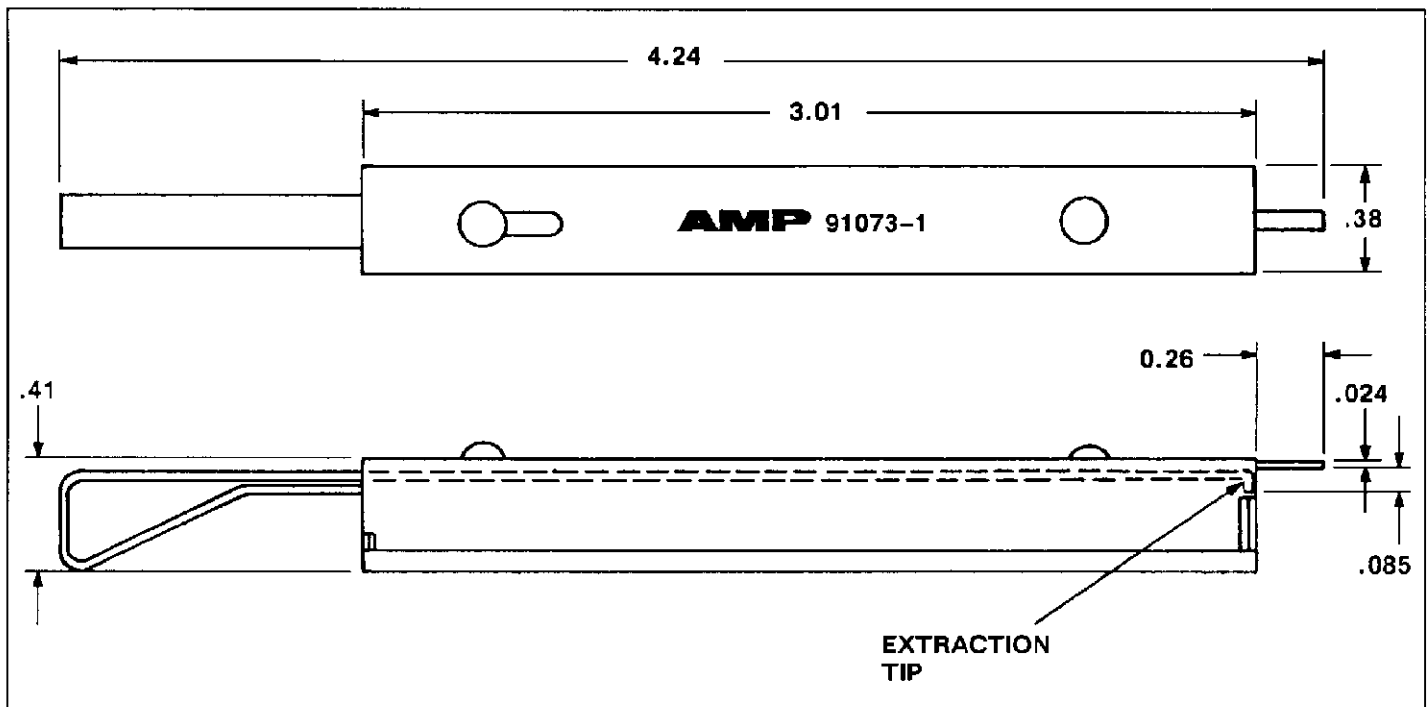


Fig. 2